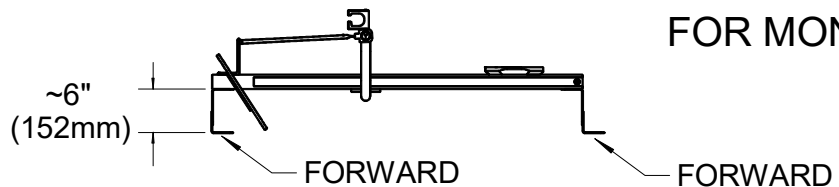
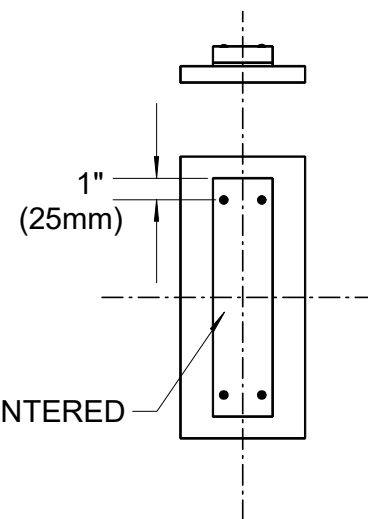
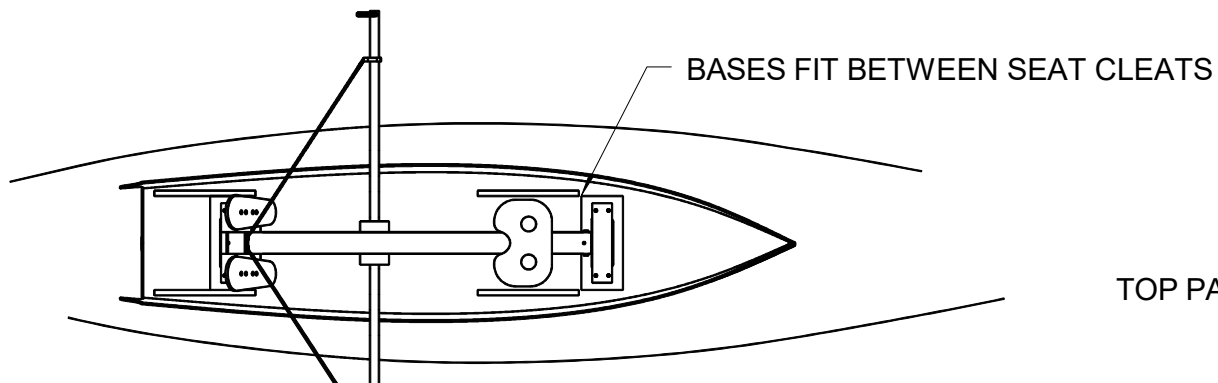
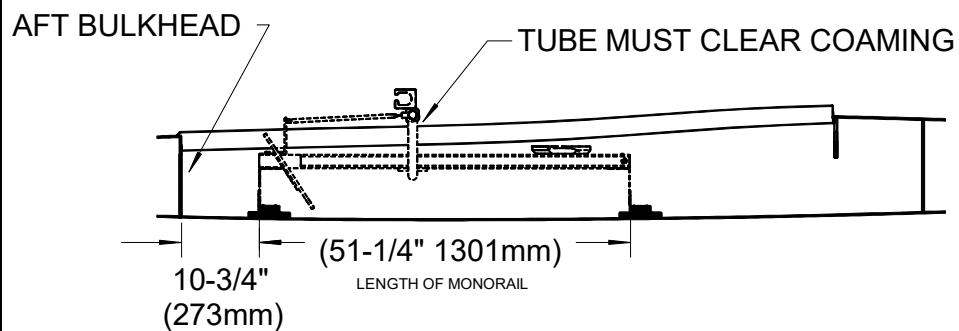
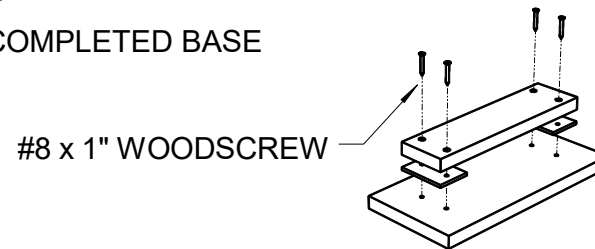


MILL CREEK 16 FIT KIT FOR MONORAIL ROWING UNIT



COMPLETED BASE



REVISION DATE

Chesapeake Light Craft
1805 George Ave. • Annapolis, MD • 21401 • 410 267 0137

DATE 04/2018
DRAWN AJHOCK
CHECKED JCH
SCALE NONE
JOB MC16 FIT KIT

SHEET

1
OF 1