

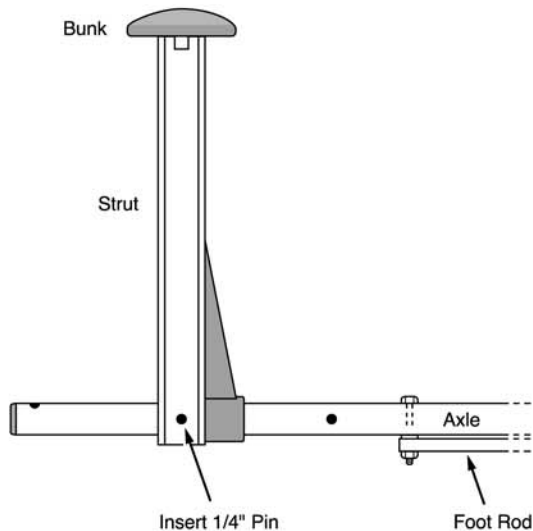
Wheel-a-Weigh[®]

SMALL BOAT DOLLY, EXTRA CAPACITY

ASSEMBLY INSTRUCTIONS

This model is not to be used on boats over 250 lbs. (113 kg). Capacity is reduced to 150 lbs. (68 kg) on soft sand.

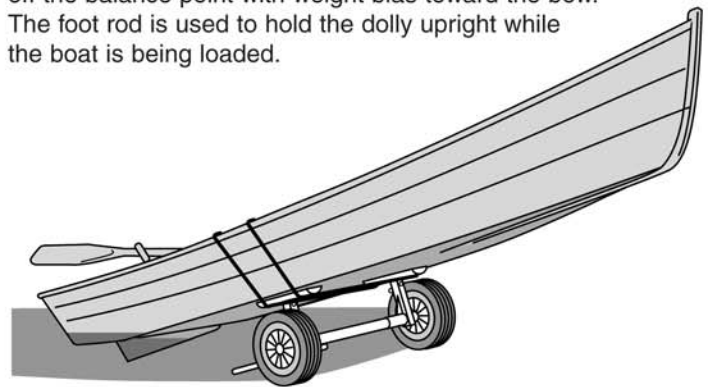
1. Slide strut into bunk and tap into place, making sure the strut locks into retainer on both sides. Check from top of bunk.
2. Slide the strut onto the axle with the sloped side facing in. Slide the strut to the second hole in from the end and attach to axle with 1/4" (6.5 mm) lockpin. Repeat above on other side of axle. The foot rod should be on the bottom of the axle (see diagram).



3. Thread the straps through the built-in strap guides on the bottom side of the bunk, then install the buckles.
4. Inflate tires to **NO MORE THAN 14 P.S.I.** (14 pounds per square inch). **Use no more than 14 pounds tire pressure regardless of what may appear on the tire.**
CAUTION: Gas station compressors can easily overinflate and explode tires. Be careful not to overinflate.
5. Mount the wheels with long end of hub facing in.
6. After wheels are mounted, install 1" (25.4 mm) nylon washer and secure with 1/4" (6.5 mm) lockpin.

CARRYING THE BOAT

In use, the boat is usually positioned on the bunks just off the balance point with weight bias toward the bow. The foot rod is used to hold the dolly upright while the boat is being loaded.



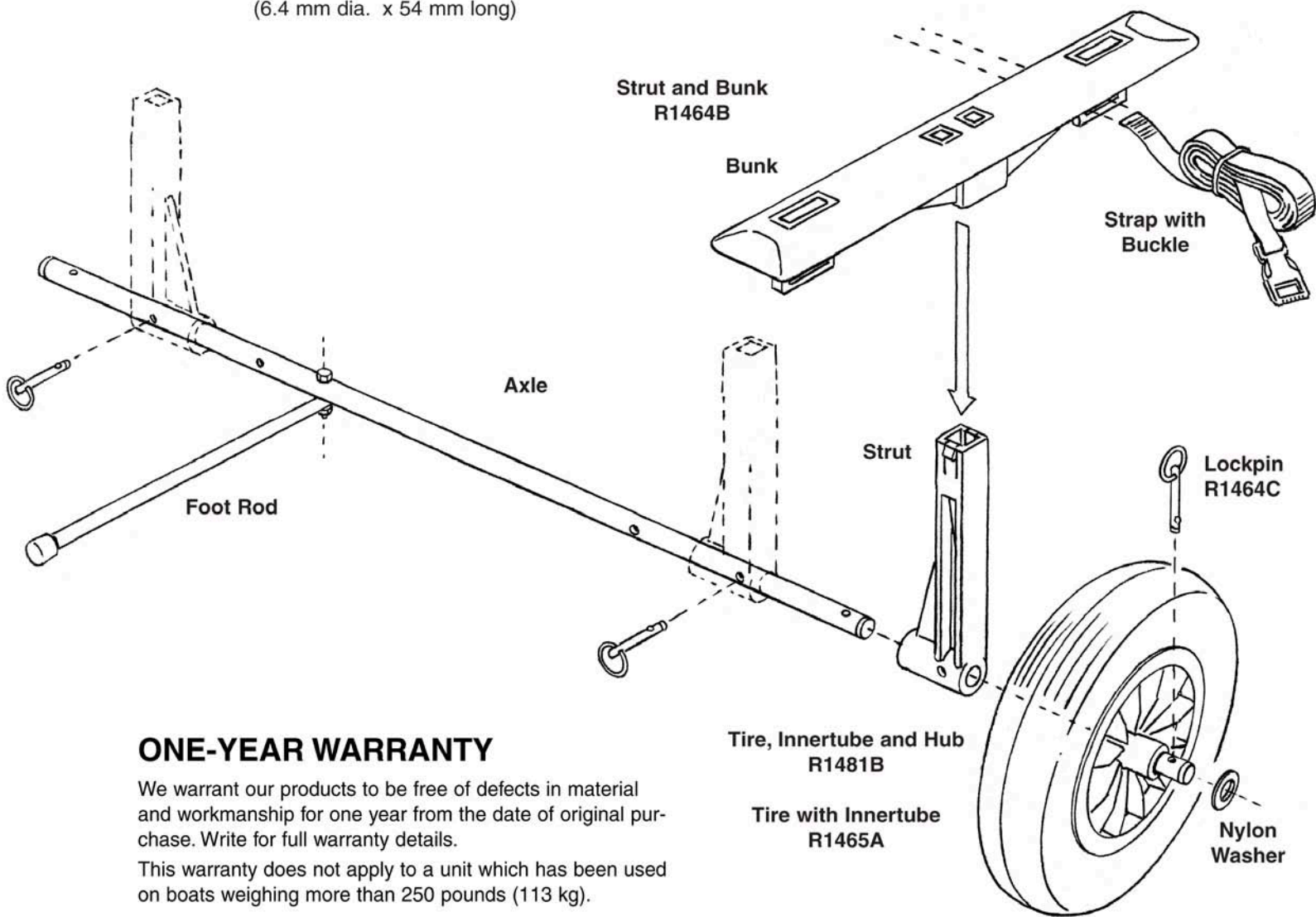
CAUTION: This product is not designed to be towed behind a vehicle. Damage may occur and will void the warranty.

REPLACEMENT PARTS

| Part No. | Description | Qty. Req'd |
|----------|--|------------|
| R1481B | Tire with Innertube, 4 x 16" (10 x 41 cm), and Hub | 2 |
| R1465A | Tire with Innertube, 4 x 16" (10 x 41 cm) | 2 |
| R1464B | Strut and Bunk | 2 |
| R1464C | Lockpin, stainless steel, 1/4" dia. x 2.1" long (6.4 mm dia. x 54 mm long) | 6 |

Wheel-a-Weigh®

**#1465
Small Boat Dolly,
Extra Capacity**



ONE-YEAR WARRANTY

We warrant our products to be free of defects in material and workmanship for one year from the date of original purchase. Write for full warranty details.

This warranty does not apply to a unit which has been used on boats weighing more than 250 pounds (113 kg).