

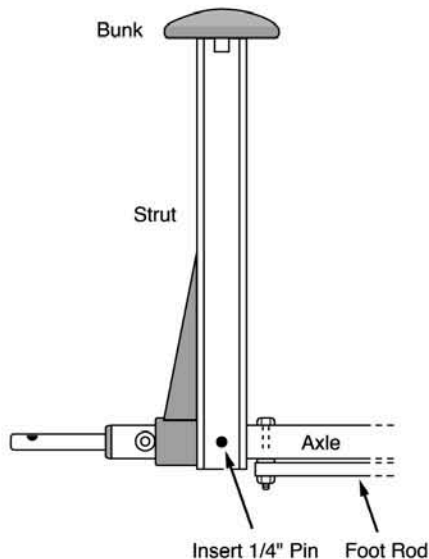
Wheel-a-Weigh®

KAYAK DOLLY

ASSEMBLY INSTRUCTIONS

This product is not to be used on boats over 200 lbs. (91 kg). Capacity is reduced to 100 lbs. (45 kg) on soft sand.

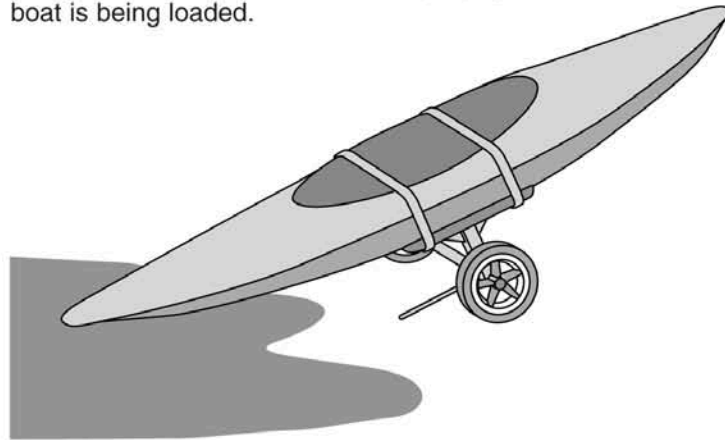
1. Slide strut into bunk and tap into place, making sure the strut locks into retainer on both sides. Check from top of bunk.
2. Slide strut onto the axle with the sloped side facing out. Line up the hole in the strut with the second hole in from the end of the axle (the second hole has a roll pin in it). Attach strut to the axle with 1/4" (6.5 mm) lockpin, which is the smooth pin. Repeat process on opposite end of axle. The foot rod should be on the bottom of the axle (see diagram).



3. Thread the straps through the built-in strap guides on the bottom side of the bunks and then install the buckles.
4. Inflate tires to **NO MORE THAN 14 P.S.I.** (14 pounds per square inch). **Use no more than 14 pounds tire pressure regardless of what may appear on the tire.**
CAUTION: Gas station compressors can easily overinflate and explode tires. Be careful not to overinflate.
5. Mount the wheels and attach to 1/2" (1.3 cm) axle by installing 1/4" (6.5 mm) cotter-type pin on outside of wheel to prevent it from sliding off.

CARRYING THE KAYAK

In use, the boat is usually positioned on the bunks just off the balance point with weight bias toward the bow. The foot rod is used to hold the dolly upright while the boat is being loaded.



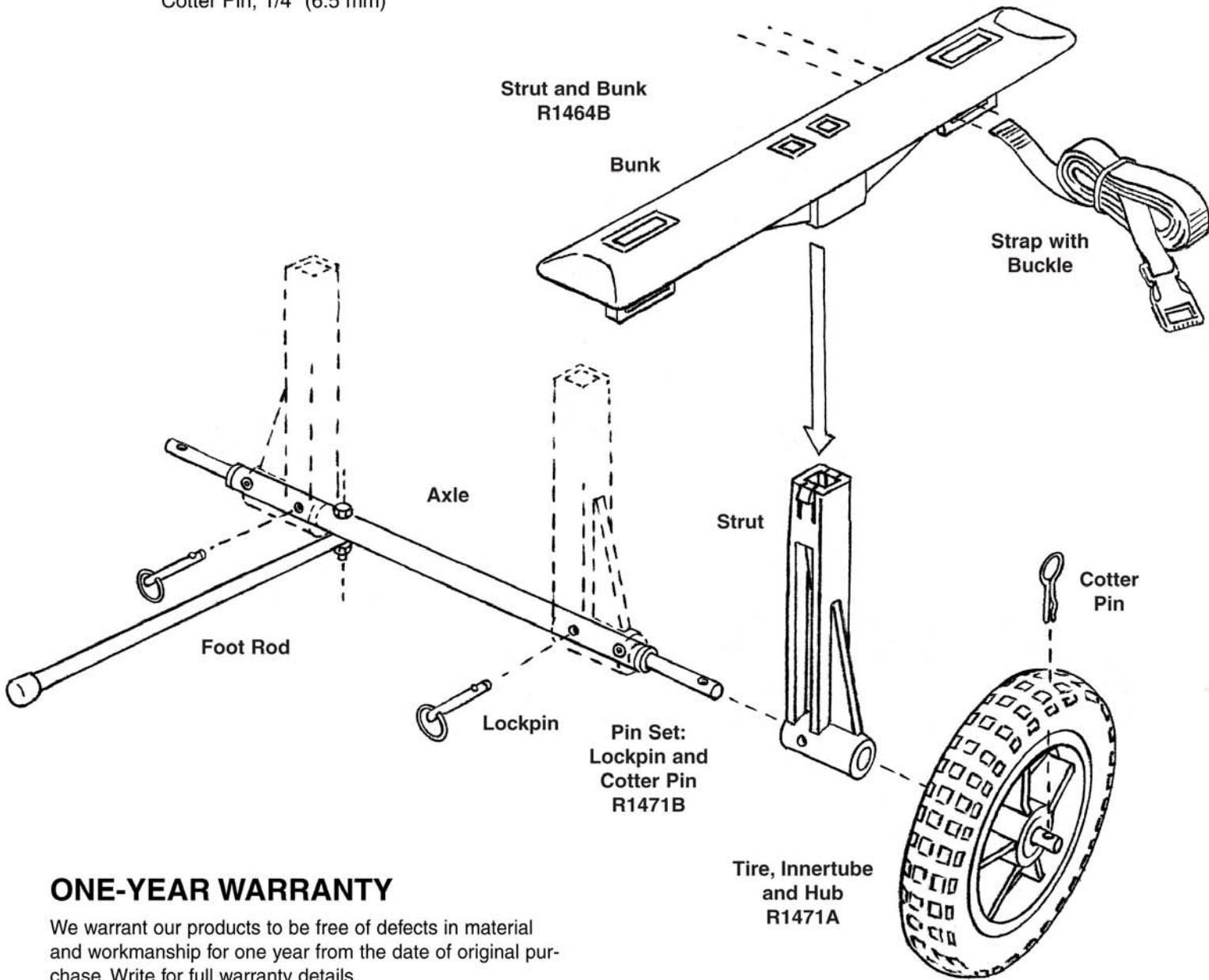
CAUTION: This product is not designed to be towed behind a vehicle. Damage may occur and will void the warranty.

REPLACEMENT PARTS

Wheel-a-Weigh[®]

**#1471
Kayak Dolly**

Part No.	Description	Qty Req'd
R1471A	Tire, Innertube and Hub	2
R1464B	Strut and Bunk	2
R1471B	Pin Set: Lockpin, 1/4" (6.5 mm), and Cotter Pin, 1/4" (6.5 mm)	2



ONE-YEAR WARRANTY

We warrant our products to be free of defects in material and workmanship for one year from the date of original purchase. Write for full warranty details.

This warranty does not apply to a unit which has been used on boats weighing more than 200 pounds (91 kg).

Note: The Kayak Dolly wheel does have an innertube, but its removal is difficult. Order the entire wheel if the innertube needs to be replaced.